

From Eye to Insight

Leica
MICROSYSTEMS

LEICA M220 F12

Microscope for Routine Ophthalmic Surgery





Originated from the Swiss company WILD Heerbrugg, Leica Microsystems has powerful genes: our passion for high precision optics and innovation as well as our relentless dedication to quality finds their way into each and every one of our products.



Leica Microsystems' longtime cooperation with ophthalmic surgeons in over 100 countries worldwide has led to a continuously broadened portfolio of innovative surgical microscopes. A milestone in ophthalmic surgery was set in 1982 with the WILD/Leica M690, which left innumerable users speechless in excitement.

The Leica M220 F12 is a high-quality microscope for routine ophthalmic surgery designed for the cost-conscious user.

LEICA M220 F12

The Leica M220 F12 microscope is fully dedicated to the needs of ophthalmic surgery.

Featuring prestigious Leica optics, innovative LED-illumination and intuitive, user-friendly operation, the Leica M220 F12 is designed for a smooth and fatigue-free surgery experience.

The price is right, and the quality is 100% Leica Microsystems for many years of reliable operation.



LEICA F12

Leica Design by Christophe Apothéloz



LEICA QUALITY FOR SMALL BUDGETS

High productivity

Hands-free adjustment of the motorized 5-step APO-chromatic magnification changer and focus helps to speed up surgery.

Fatigue-free surgery

Prestigious Leica optics create a crisp and contrast-rich image with excellent depth of focus.

Innovative LED-illumination

Instant and perfectly stable Red Reflex from unique, direct LED-lightsource.

Low cost of ownership

Design without fibre optics cable and 60000 hours life expectancy of the LED light source ensure many years of reliable operation at minimal cost.

Maximum positioning flexibility

The compact-in-size, long-in-reach stand system allows a high degree of positioning freedom.

Leica Quality

Excellence in optics, precision and reliability.

Modularity and upgradeability

A wide range of observation accessories meets all users' ergonomic requirements, offering the best possible view. The modular system allows a subsequent and straightforward upgrade.



Variable binocular tube




Integrated camera

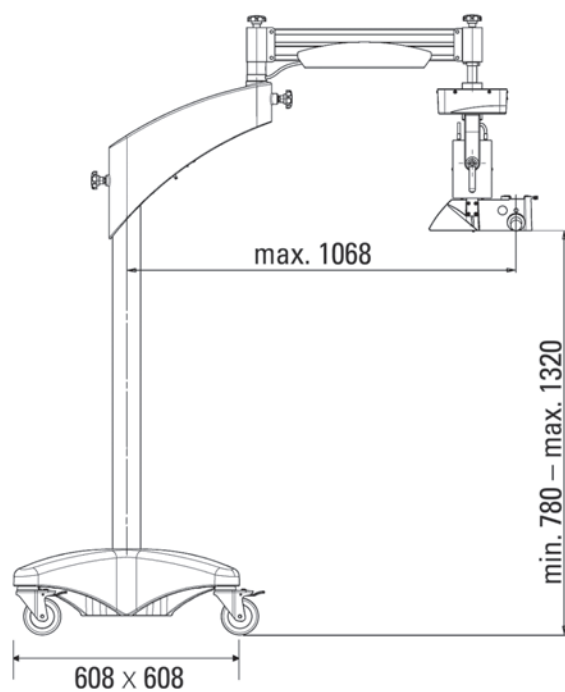


Assistant microscope tube and camera

Technical Data Leica M220 F12

Microscope	
Magnification changer	APO-chromatic 5-step-changer, motorized
Focusing	Motorized, 40mm, adjustable speed
Objective	Leica f = 200mm OPTIONS: 175mm, 225mm, or Leica WD = 175mm, 200mm APO
Eyepieces	10× / 21 B wide-field eyepieces for eye-glasses wearers Diopter adjustment +/- 5 with adjustable eyecup
LED-illumination	Homogenous, coaxial, integrated Red Reflex illumination, Sterile adjustment of light intensity by surgeon Long-lasting LED-illumination free of UV and IR 2 free openings for selectable filters dia 32mm Inclining mechanism +/- 15° manual fine adjustment Adjustable speed for drives
Foot switch	8-Function foot switch, waterproof
XY-unit	Optional/upgradeable XY-unit Positioning range 40 × 40mm with reset, adjustable speed
Stand	
Type	Compact floor stand
Base	Compact foot with 4 movable rollers, 4 foot brakes
Base dimension	608 × 608mm
Maximum load	3.5kg accessories on the microscope
Maximum reach	1068mm
Minimum transport height	1680mm
Weight approx.	100kg (minimum equipment)
Accessories	
Assistant's attachment	Stereo co-viewer, Monocular co-viewer
Beam splitter	50/50% or 70/30%
TV/photo	Leica 2D video system, Leica Zoom Video Adapter f = 35–100mm Photo/TV dual attachment f = 60/85/107mm for TV, f = 250/350mm for 35-mm camera TV attachment f = 107mm, Photo attachment f = 250/350mm
Asepsis	Sterilisable components for all controls
Electrical data	
Supply	100–240 VAC, +/- 10%, 50/60 Hz/100 VA
Protection class	Class 1
Conformity 	<ul style="list-style-type: none"> • Medical devices directive 93/42/EEC Classification: Class I, in compliance with appendix IX, rule 1, with reference to rule 12 of the directive. • Medical electrical equipment, Part 1: General requirements for safety IEC 60601-1; EN 60601-1; UL60601-1; CAN/CSA-C22.2 NO. 601.1-M90 • Electromagnetic compatibility IEC 60601-1-2; EN 60601-1-2 <p>Leica Microsystems (Schweiz) AG, has the management system certificate for the international standards ISO 13485 and ISO 14001 relating to quality management, quality assurance and environmental management.</p>

Dimensions in mm



From Eye to Insight

Leica
MICROSYSTEMS



PREMED PHARMA KFT.
CÍM 2040 Budaörs, Gyár u. 2.
TELEFON 06 23 889 700
FAX 06 23 889 710
E-MAIL info@premedpharma.hu
WEB www.premedpharma.hu

Leica Microsystems (Schweiz) AG holds the management system certificates for the international standards ISO 13485, and IS O 14001 relating to quality management, quality assurance and environmental management.



CONNECT
WITH US!

Leica Microsystems (Schweiz) AG · Max Schmidheiny Strasse 201 · CH-9435 Heerbrugg
T +41 71 726 3333 · F +41 71 726 3399

www.leica-microsystems.com

