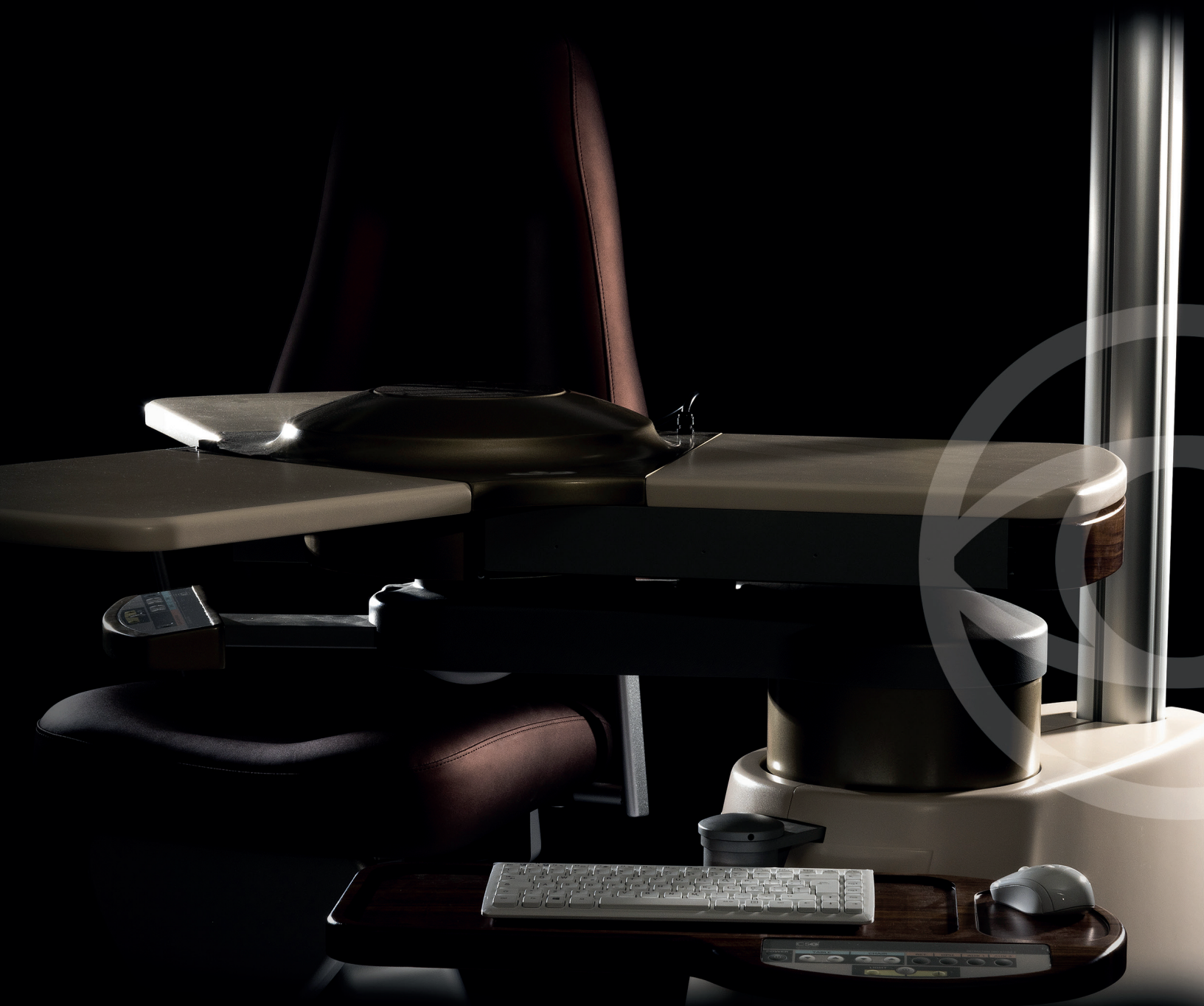


Refraction unit

OPHTHALMIC UNITS





C.S.O. was established in 1967 as ophthalmological devices producer and soon becomes a world leader company for the production of a wide range of ophthalmological products.

The refraction units by C.S.O. are born at the beginning of the 90s to gather several ophthalmic devices in one solution characterized by harmonious lines, compact, ergonomic and long-lasting structure,

The C.S.O. refraction units are characterized by their practicality compatible with a wide range of devices for the modern ophthalmological diagnostic and they provide a pleasant daily working experience.

Thanks to an attentive selection of the materials used for the construction and a wide range of available colors and customizations, it is possible to realize a harmonious and comfortable working environment for the user and the patient.

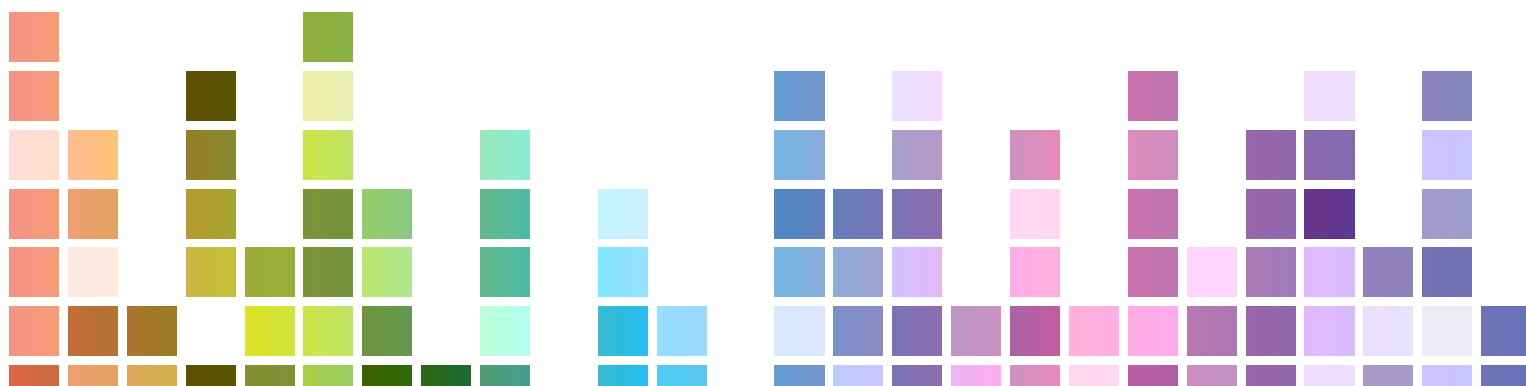


Thank you for choosing C.S.O. as your supplier.



OPHTHALMIC UNIT

Fusion



REFRACTION UNIT

FUSION it has all the features of a high-end ophthalmic unit in a very reduced space. It has a new generation shatterproof touch-pad console, backlit, easy to use and to clean. On the console there are all the main commands and it is also possible to memorize various functions for a fast and comfortable use. **FUSION** can be equipped with an electric lifting plan, the command for the management of the electric anteroposterior movement of the chair is available (optional).

The working plane for 2 instruments can be blocked and activated in any position. This feature makes the unit suitable for patients with motor difficulties. A wide range of accessories is available: chairs, ceiling lights, drawers and many other accessories to personalize the furnishing of the studio. As the whole range of CSO ophthalmic units, **FUSION** can be customized with a wide choice of colors.



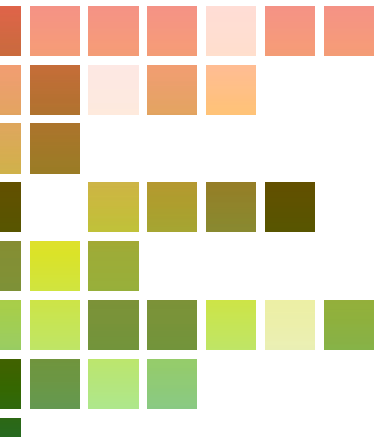
Spotlight support with CSO projector insert



Shatterproof touch-pad console, backlit



Special supports with objects storage compartment (optional)

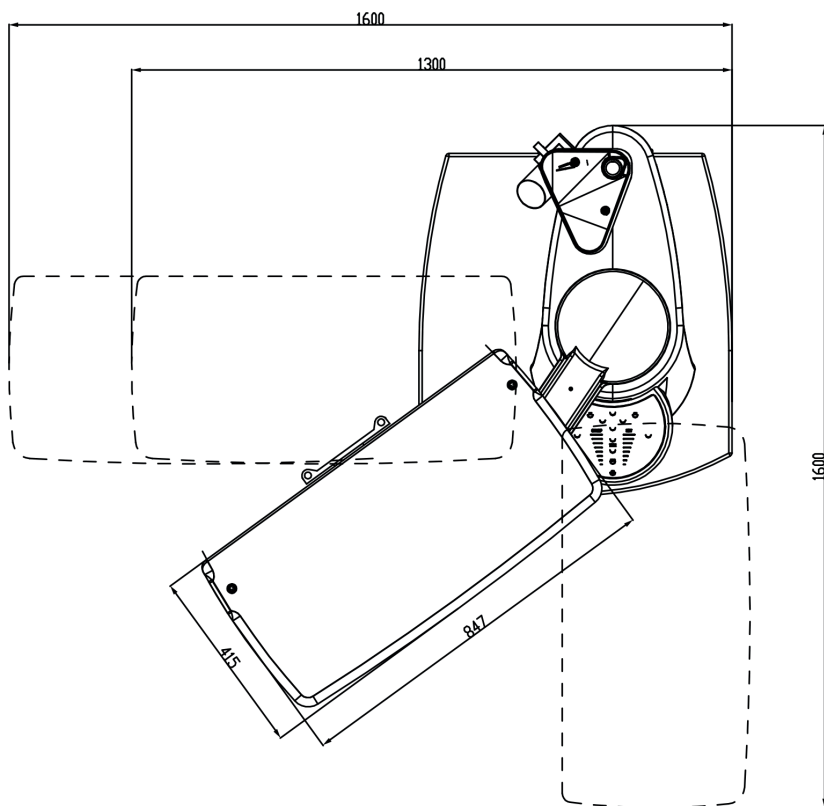


Version for patients with motoric difficulties



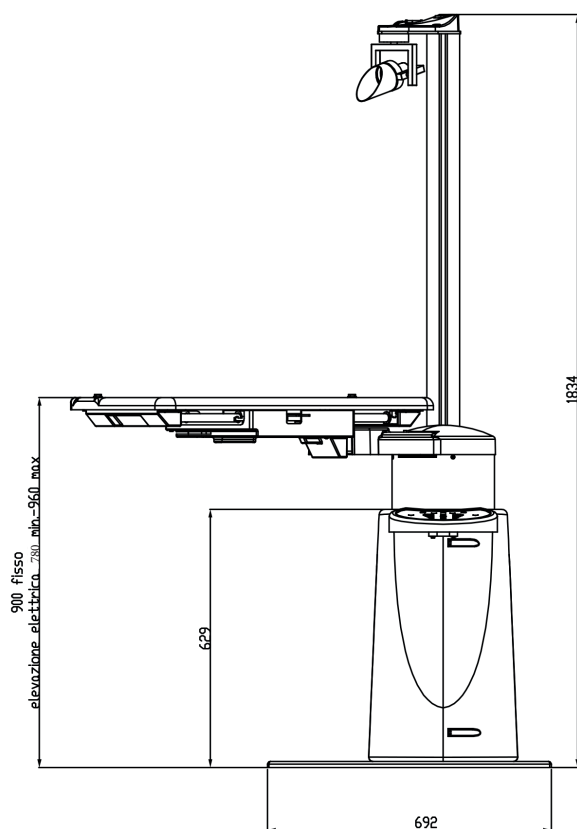
Ceiling light with three light sources suitable for every unit with:

- LED light with adjustable intensity
- with light spot
- upper ambient LED light (optional)



STANDARD EQUIPMENT

- Structure with command console
- Column with adjustable LED spotlight
- Eye charts projector support
- Plane with manual movement, 2 positions
- Preparation of commands to stand electrical anteroposterior



ACCESSORIES (OPTIONAL)

- Chair with electronic height adjustment
- Self-balancing arm for phoropter
- Support for phoropter arm
- Electrical elevation of the plane
- Wood's lamp with arm
- LED spotlight with fixed intensity
- LCD monitor arm
- Arm with plane for column
- Arrangement video system
- Special supports for chin rest
- Desk
- Drawers
- Various supports for column
- Version with opening on the left
- Support for storage compartment
- Ceiling light with 3 LED lights

ELECTRICAL DATA

	From	To
Supply voltage	90 V	264 V
Power frequency	47Hz	63Hz
Network fuses	4A T 5x20mm	8A T 5x20mm
Auxiliary sockets (chair and auxiliaries)	110Vac 50Hz	230Vac 60Hz
Max power absorbed by the auxiliary sockets	100 VA	100 VA
Max power absorbed by the unit:	600 VA	600 VA
Voltage for the table instruments	from 0 Vac/DC to 24Vac/DC Ophthalmometer Slit Lamp from 0Vac/DC or 24Vac/DC Fixation point of the Chin rest	

Accessories



Phorofter arm
cod. 100805-02

Plate for projector (not CSO)
cod. 100805-05



Movable spotlight
cod. 100811550

Plane for column monitor
cod. 100805-03



Ophthalmic headband support
cod. 100805-21



CD monitor support
100805-24

Phorofter support for square section column
cod. 100805-10



Lamp with 3 LED lights
cod. 100819510



**Support for column
retinoscope/ophthalmometer**
cod. 10080518



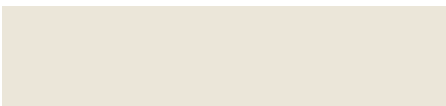
COLORS*

They make the difference and give personality to the studio furniture.

COLORS LACQUERED - optional

		
cod. 107	cod. 132	cod. 135
		
cod. 156	cod. 162	cod. 223
		
cod. 218	cod. 208	cod. 187
		
cod. 757/296-D	cod. 182	cod. 131
		
cod. 118	cod. 120	cod. 130
		
cod. 228	cod. 236	cod. 849
		
cod. 945/C	cod. 244	cod. 259

LACQUED COLORS - standard

		
cod. 757/296-E	cod. 889/F	cod. 857/C

* The colors are just approximate.

Intensity color variations can be caused by the chemicals reactions of the used matters.

The specifications and the images are not contractually binding and can be modified without notice.



YOUR PROFESSIONAL PARTNER SINCE 1967



PREMED PHARMA KFT.
CÍM 2040 Budaörs, Gyár u. 2.
TELEFON 06 23 889 700
FAX 06 23 889 710
E-MAIL info@premedpharma.hu
WEB www.premedpharma.hu

