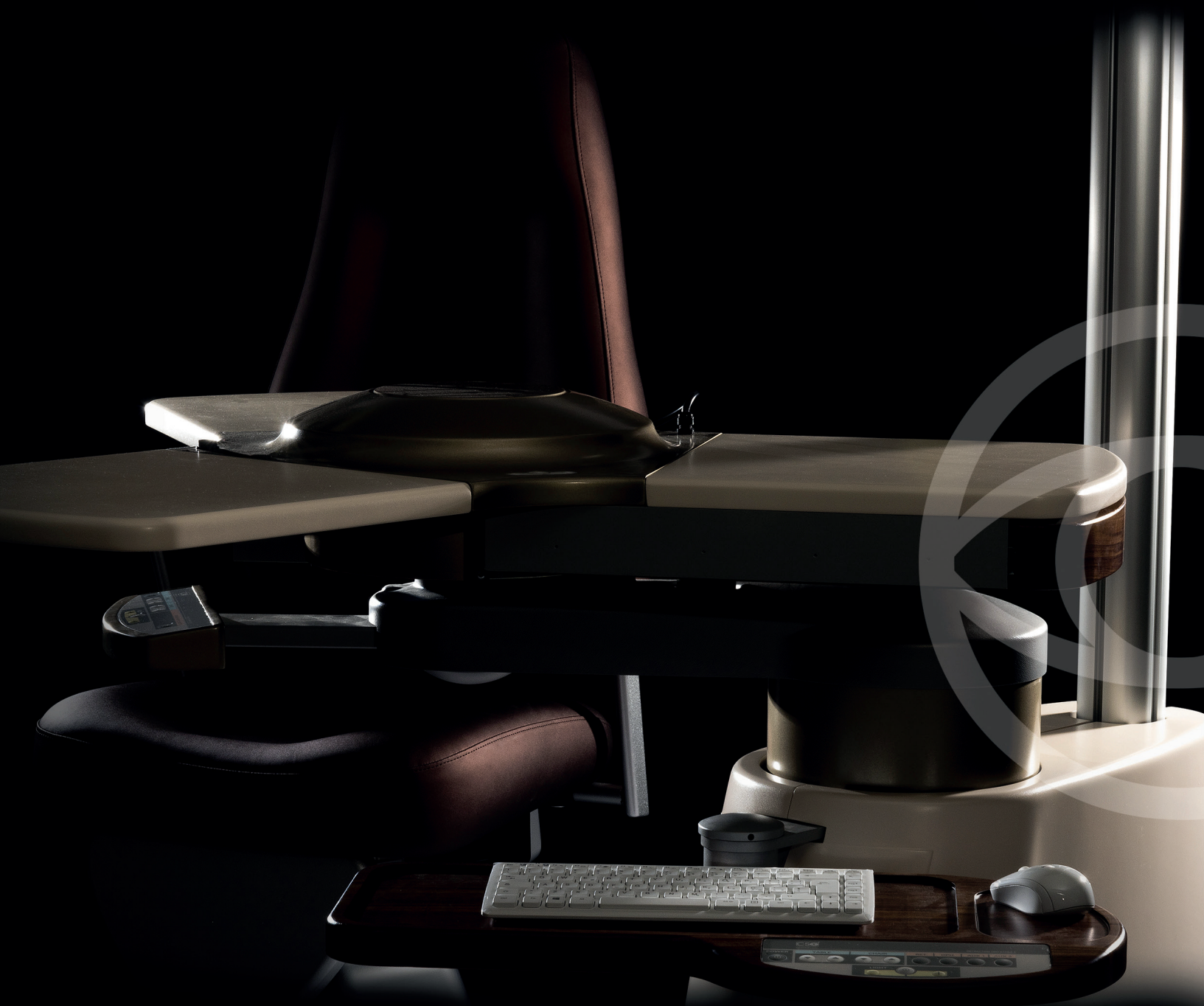


# Refraction unit

OPHTHALMIC UNITS





*C.S.O. was established in 1967 as ophthalmological devices producer and soon becomes a world leader company for the production of a wide range of ophthalmological products.*

*The refraction units by C.S.O. are born at the beginning of the 90s to gather several ophthalmic devices in one solution characterized by harmonious lines, compact, ergonomic and long-lasting structure,*

*The C.S.O. refraction units are characterized by their practicality compatible with a wide range of devices for the modern ophthalmological diagnostic and they provide a pleasant daily working experience.*

*Thanks to an attentive selection of the materials used for the construction and a wide range of available colors and customizations, it is possible to realize a harmonious and comfortable working environment for the user and the patient.*



*Thank you for choosing C.S.O. as your supplier.*



OPHTHALMIC UNIT  
**Etoile II**





## REFRACTION UNIT

**ETOILE II** it is an ophthalmic unit with rotating plane designed for 3 ophthalmic instruments, it is available also in the version with a working plane with electronic height adjustment. ETOILE II offers the greatest functional capacity taking up a minimal amount of space and offers an absolute reliability in every working situation. IT is available a version with minimum height of 74 cm, ideal to facilitate the entrance for disabled patients.

The standard version can accommodate: slit lamp, Ophthalmometer and an optional ophthalmic device. It is equipped with a lenses drawer under the instruments plane. The command consoles make it very comfortable for every day use and in all the working conditions. As the whole range of CSO ophthalmic units, ETOILE II can be customized with a wide choice of colors.



Possibility to visit patients with motoric difficulties



Commands console



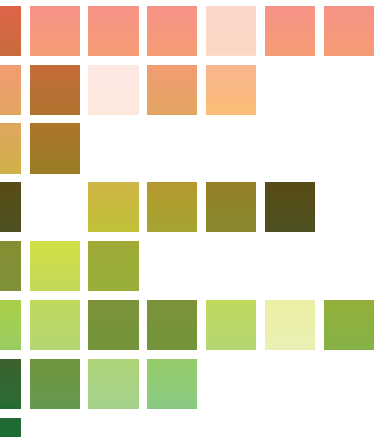
Plane for keyboard PC. (optional)



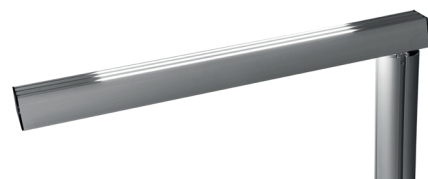
Eye charts projector support



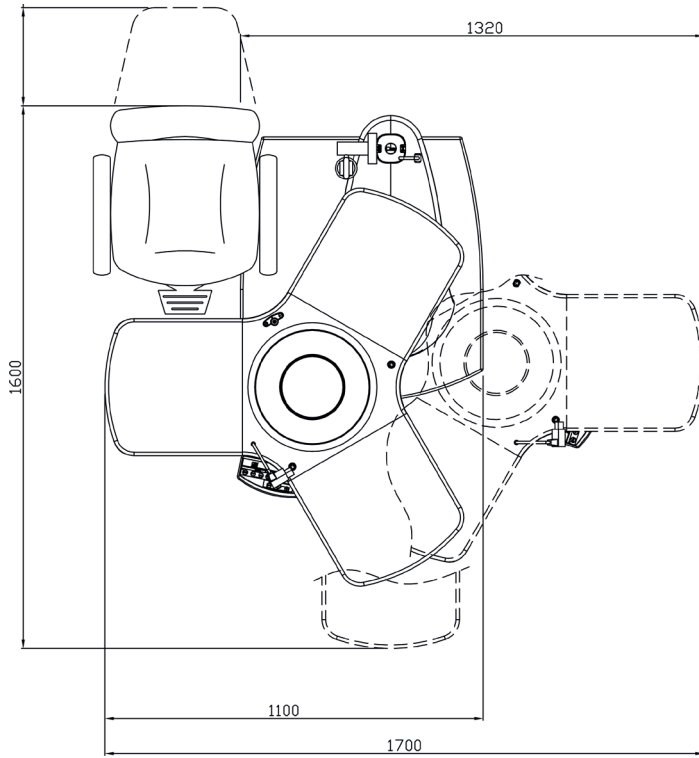
Spotlight support with insert for CSO projector



Lenses drawer. (not available in the disabled patients version)

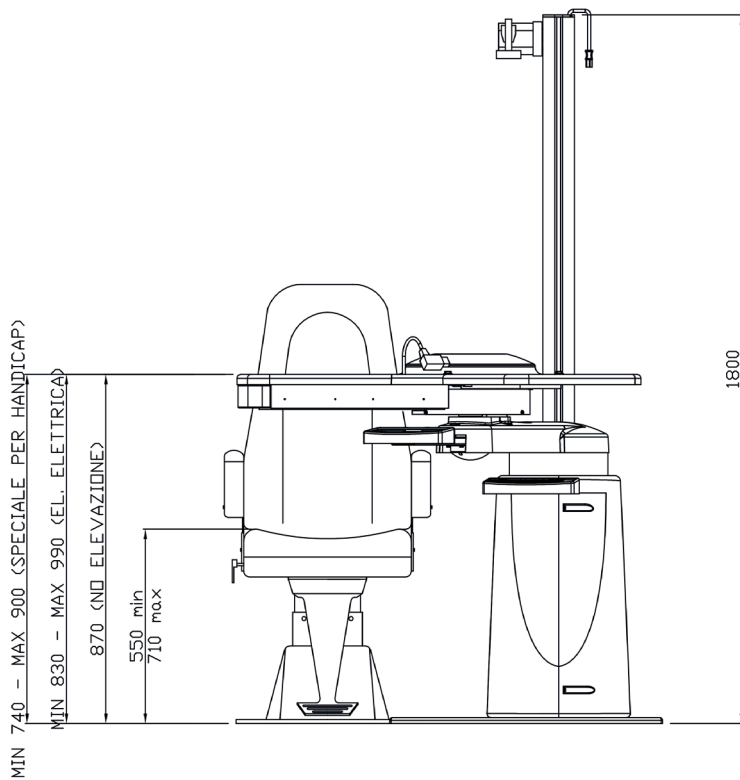
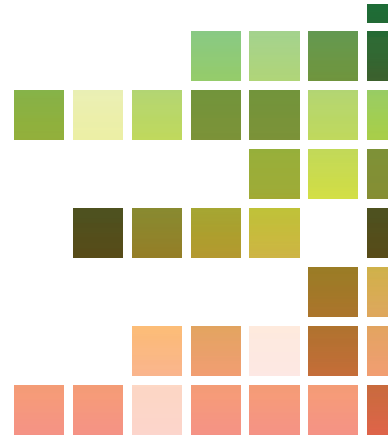


Ceiling light with three light sources suitable for every unit with:  
- LED light with adjustable intensity  
- with light spot  
- upper ambient LED light (optional)



## STANDARD EQUIPMENT

- Structure with 3 instruments plane
- Column with adjustable LED spotlight
- Column with projector compartment
- Drawer with lenses tray
- Three commands consoles



## ACCESSORIES (OPTIONAL)

- Chair with electronic height adjustment
- Working plane with electronic height djustment (from 84 cm to 100 cm and from 74 cm to 90 cm)
- LED spotlight
- Self-balancing arm for phoropter
- Support for phoropter arm
- Support for column plane
- Wood's lamp with arm
- Arrangement video system
- Arrangement for corneal topographer
- Various supports for column
- LCD monitor support
- Wheeled drawer and desk
- Version with opening on the left
- Finishing with special materials
- Plane for pc keyboard

## ELECTRICAL DATA

	Version 230V	Version 120V
Supply voltage	230 Vac ±10%	120 Vac ±10%
Power frequency	50Hz	60Hz
Network fuses	4A T 5x20mm	8A T 5x20mm
Auxiliary sockets (chair and auxiliaries)	230Vac 50Hz	120Vac 60Hz
Max power absorbed by the auxiliary sockets	100 VA	100 VA
Max power absorbed by the unit:	600 VA	600 VA
Voltage for the table instruments	6Vac or 12Vac Ophthalmometer   Slit Lamp 6Vac or 12Vac Fixation point of the Chin rest 230 Vac for other diagnostic instrument	

# Accessories



**Phorofter arm**  
cod. 100805-02

**Plate for projector (not CSO)**  
cod. 100805-05



**Movable spotlight**  
cod. 100811550

**Plane for column monitor**  
cod. 100805-03



**Ophthalmic headband support**  
cod. 100805-21



**CD monitor support**  
100805-24

**Phorofter support for square section column**  
cod. 100805-10



**Lamp with 3 LED lights**  
cod. 100819510



**Support for column  
retinoscope/ophthalmometer**  
cod. 10080518



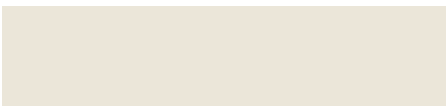
# COLORS\*

They make the difference and give personality to the studio furniture.

## COLORS LACQUERED - optional

		
cod. 107	cod. 132	cod. 135
		
cod. 156	cod. 162	cod. 223
		
cod. 218	cod. 208	cod. 187
		
cod. 757/296-D	cod. 182	cod. 131
		
cod. 118	cod. 120	cod. 130
		
cod. 228	cod. 236	cod. 849
		
cod. 945/C	cod. 244	cod. 259

## LACQUED COLORS - standard

		
cod. 757/296-E	cod. 889/F	cod. 857/C

\* The colors are just approximate.

Intensity color variations can be caused by the chemicals reactions of the used matters.

*The specifications and the images are not contractually binding and can be modified without notice.*





*YOUR PROFESSIONAL PARTNER SINCE 1967*



PREMED PHARMA KFT.  
CÍM 2040 Budaörs, Gyár u. 2.  
TELEFON 06 23 889 700  
FAX 06 23 889 710  
E-MAIL [info@premedpharma.hu](mailto:info@premedpharma.hu)  
WEB [www.premedpharma.hu](http://www.premedpharma.hu)

