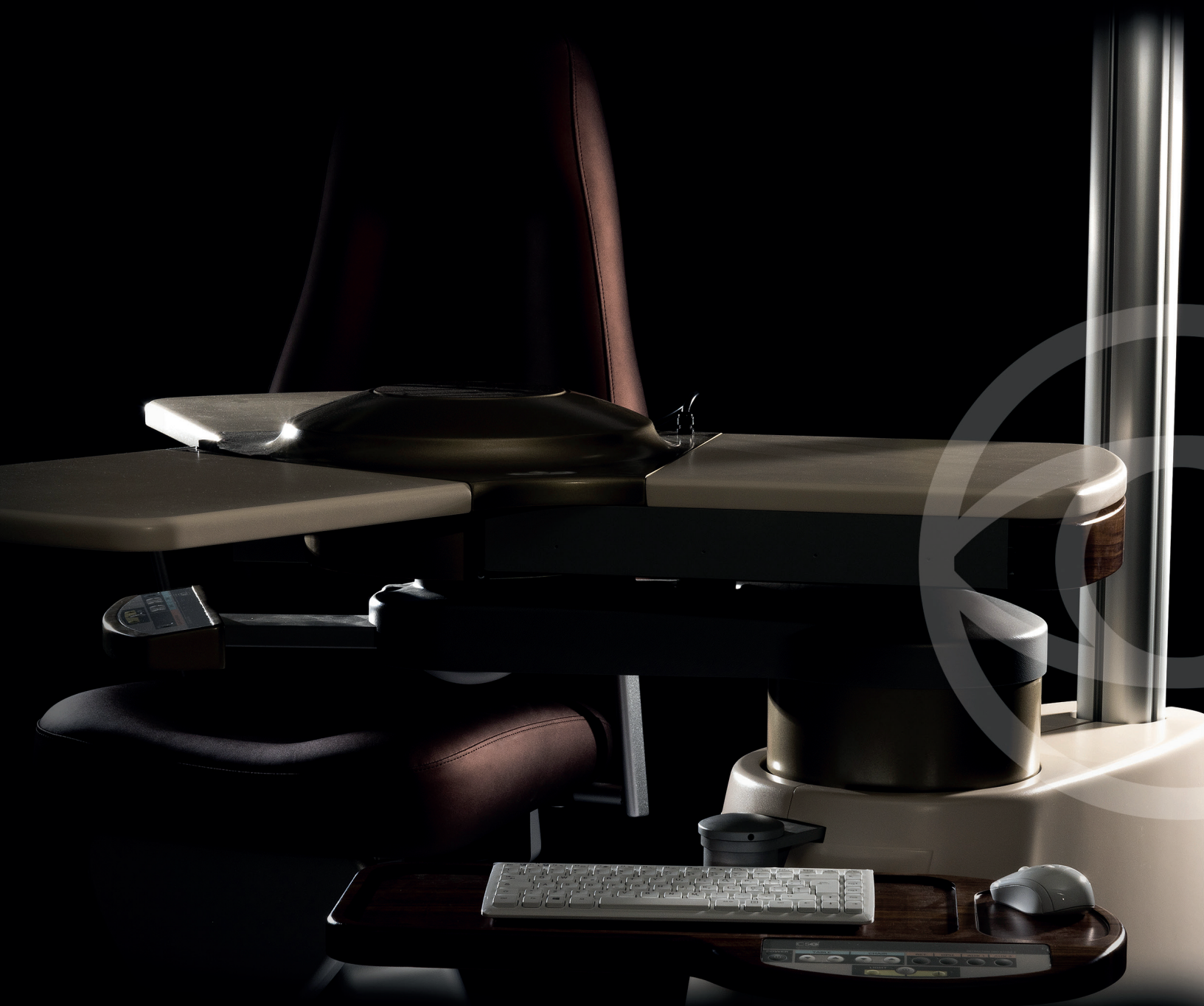


# Refraction unit

OPHTHALMIC UNITS





*C.S.O. was established in 1967 as ophthalmological devices producer and soon becomes a world leader company for the production of a wide range of ophthalmological products.*

*The refraction units by C.S.O. are born at the beginning of the 90s to gather several ophthalmic devices in one solution characterized by harmonious lines, compact, ergonomic and long-lasting structure,*

*The C.S.O. refraction units are characterized by their practicality compatible with a wide range of devices for the modern ophthalmological diagnostic and they provide a pleasant daily working experience.*

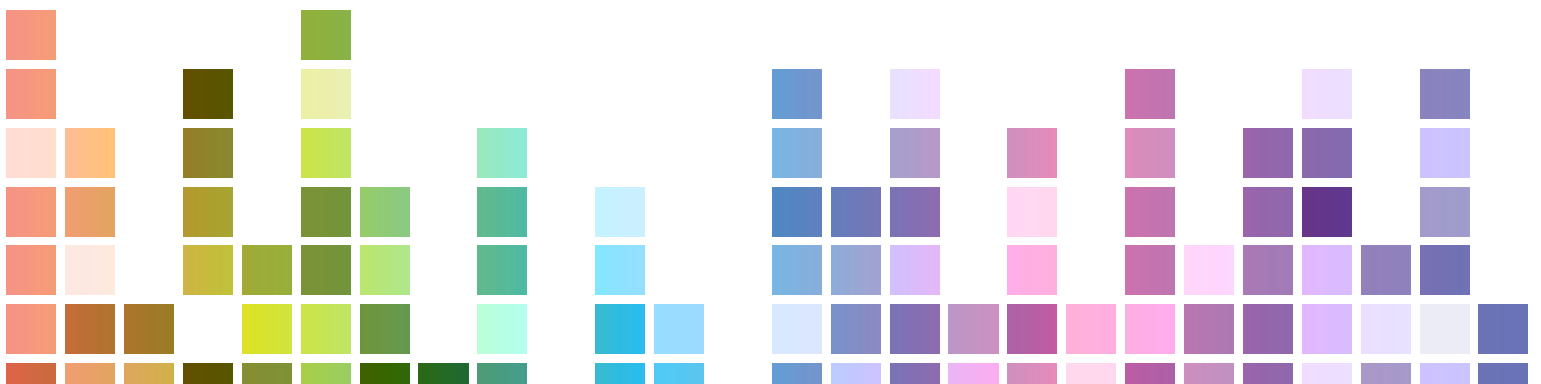
*Thanks to an attentive selection of the materials used for the construction and a wide range of available colors and customizations, it is possible to realize a harmonious and comfortable working environment for the user and the patient.*



*Thank you for choosing C.S.O. as your supplier.*



OPHTHALMIC UNIT  
**Elegance**



## REFRACTION UNIT

**ELEGANCE** it is a modern support station for 2 instruments fully compatible with a wide range of ophthalmic devices. The refraction unit is equipped with a practical and ergonomic command console which allows the optimal use of the instrumentation and gives the possibility to memorize all the working functions of the device for a fast and comfortable use. As the whole range of CSO ophthalmic units, ELEGANCE can be completely customized with a wide choice of colors.



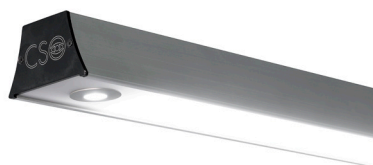
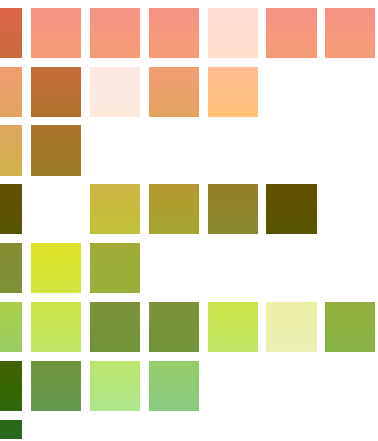
Eye charts projector support



Remote control compartment



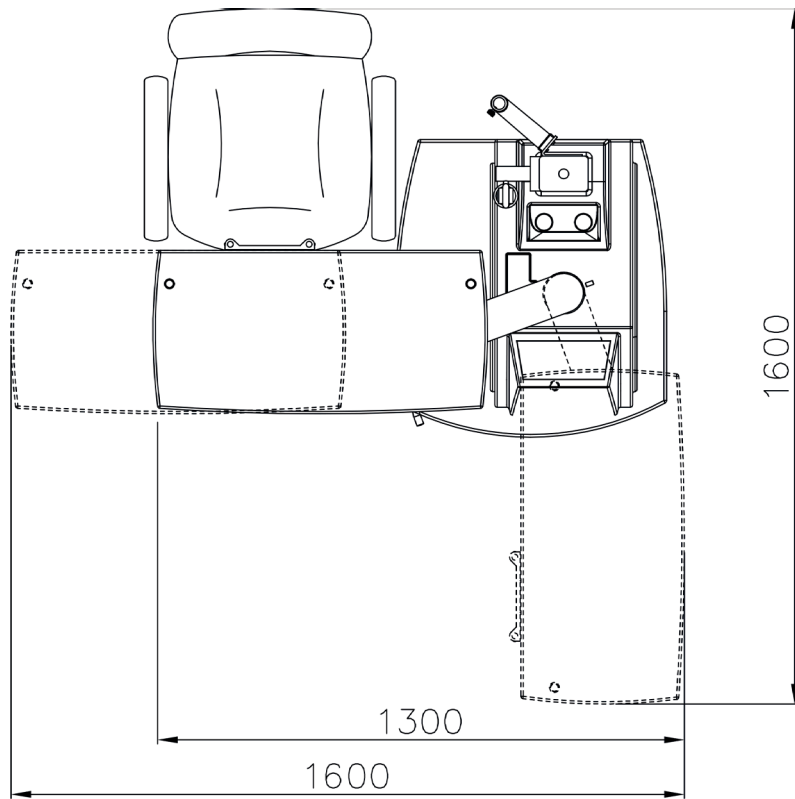
Commands console



Ceiling light with three light sources suitable for every unit  
with:  
- LED light with adjustable intensity  
- with light spot  
- upper ambient LED light  
(optional)

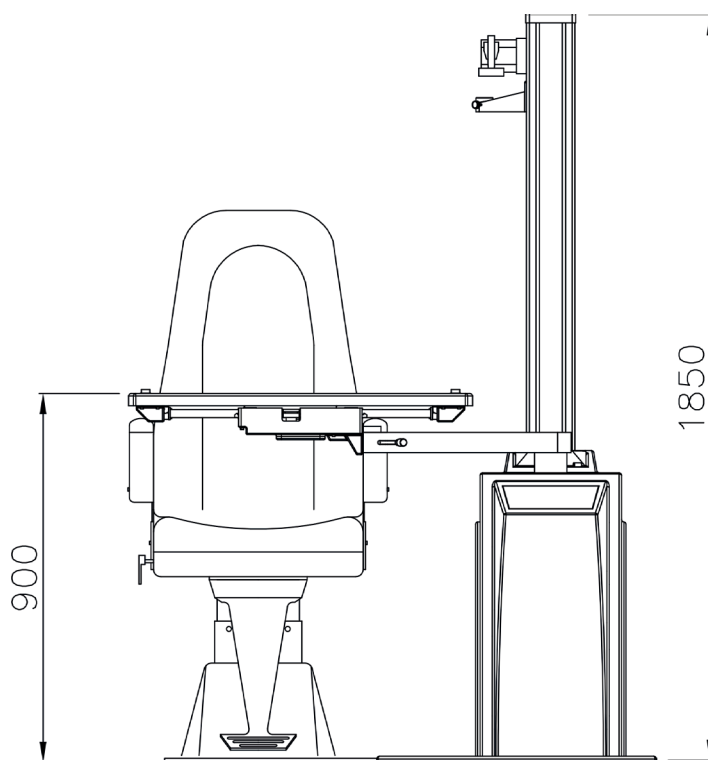


- Phoropter support  
(optional)



### STANDARD EQUIPMENT

- Central structure with command console
- Column with adjustable LED spotlight with variable intensity
- Eye charts projector support
- Plane with manual movement, 2 positions
- Retinoscope/ophthalmoscope compartment



### ACCESSORIES (OPTIONAL)

- Chair with electronic height adjustment
- Self-balancing arm for phoropter + support
- Ceiling light with 3 LED lights
- Movable LED spotlight
- Arrangement video system
- LCD monitor support
- Plane for auto refractometer
- Plane for column monitor
- Desk
- Drawers
- Version with opening on the left
- Special supports for chin rest

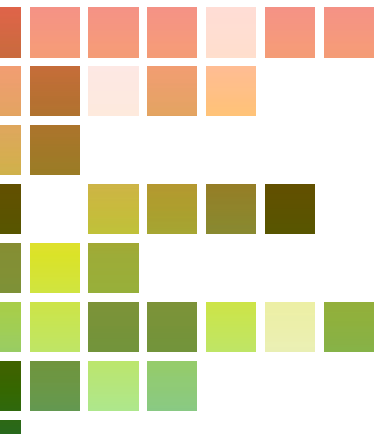
ELECTRICAL DATA	Version 230V	version 120V
Supply voltage	230 Vac ±10%	120 Vac ±10%
Power frequency	50Hz	60Hz
Network fuses	4A T 5x20mm	8A T 5x20mm
Auxiliary sockets (chair and devices)	230Vac 50Hz	120Vac 60Hz
Max power absorbed by the auxiliary sockets	100 VA	100 VA
Max power absorbed by the unit:	600 VA	600 VA
Voltage for the table instruments	6Vac or 12Vac Ophthalmometer   Slit Lamp 6Vac or 12Vac Fixation point of the Chin rest	

# Accessories



**Phorofter arm**  
cod. 100805-02

**Plate for projector (not CSO)**  
cod. 100805-05



**Movable spotlight**  
cod. 100811550

**Plane for column monitor**  
cod. 100805-03



**Ophthalmic headband support**  
cod. 100805-21



**CD monitor support**  
cod. 100805-24

**Phorofter support for square section column**  
cod. 100805-10



**Lamp with 3 LED lights**  
cod. 100819510



**Support for column  
retinoscope/ophthalmometer**  
cod. 10080518



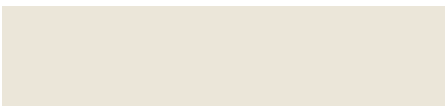
# COLORS\*

They make the difference and give personality to the studio furniture.

## COLORS LACQUERED - optional

		
cod. 107	cod. 132	cod. 135
		
cod. 156	cod. 162	cod. 223
		
cod. 218	cod. 208	cod. 187
		
cod. 757/296-D	cod. 182	cod. 131
		
cod. 118	cod. 120	cod. 130
		
cod. 228	cod. 236	cod. 849
		
cod. 945/C	cod. 244	cod. 259

## LACQUED COLORS - standard

		
cod. 757/296-E	cod. 889/F	cod. 857/C

\* The colors are just approximate.

Intensity color variations can be caused by the chemicals reactions of the used matters.

*The specifications and the images are not contractually binding and can be modified without notice.*





*YOUR PROFESSIONAL PARTNER SINCE 1967*



PREMED PHARMA KFT.  
Cím 2040 Budaörs, Gyár u. 2.  
TELEFON 06 23 889 700  
FAX 06 23 889 710  
E-MAIL [info@premedpharma.hu](mailto:info@premedpharma.hu)  
WEB [www.premedpharma.hu](http://www.premedpharma.hu)

